



Poultry Feeding Systems



Global Presence - Local Commitment



Feeding



Drinking



Climate



Housing

Broilers

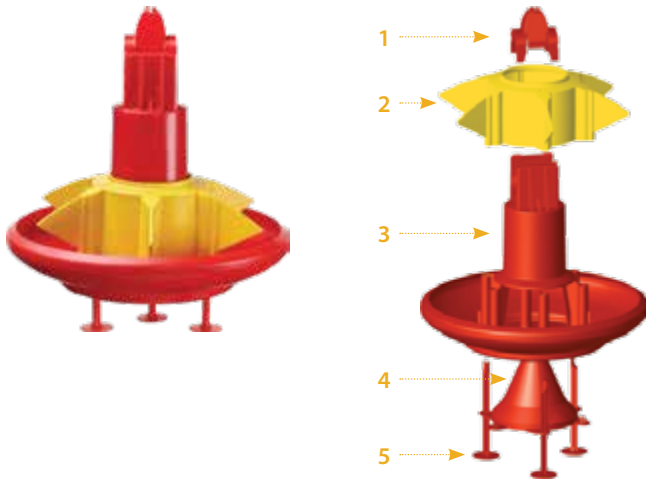
- Innovative design for better animal welfare
- Excellent feed conversion
- No Grill for easy access
- PLASSON'S high quality feeders designed to last
- Allows partial line usage
- Retaining lip minimizes feed waste



Auto Flood Feed Pan

02310159

The patented self-adjusting feed level system of the feed pan is very simple to operate, requiring no adjustment through grow-out.

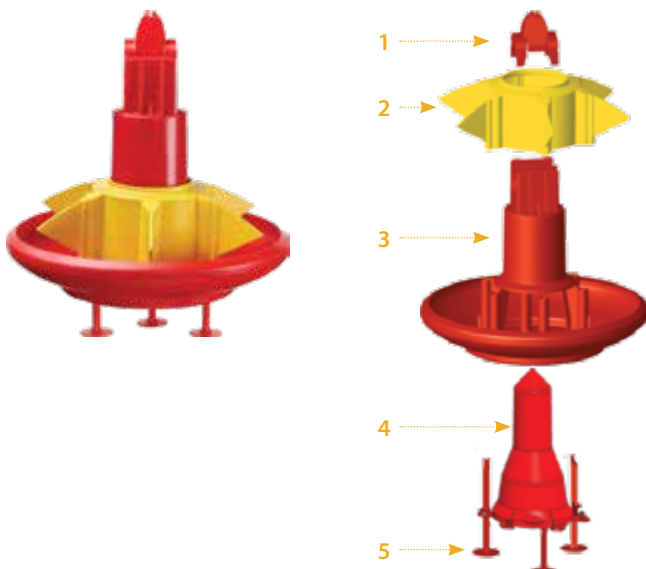


Auto Flood Feed Pan Parts

No.	Cat No.	Item
1	02310180	Feed pan locker
2	02310108	Low regulator for feed pan
3	02310153	Feed pan body
4	02310170	Cone
5	02310098	Pan pillar

Auto Flood Feed Pan with High Cone

02310965



Auto Flood Feed Pan Parts

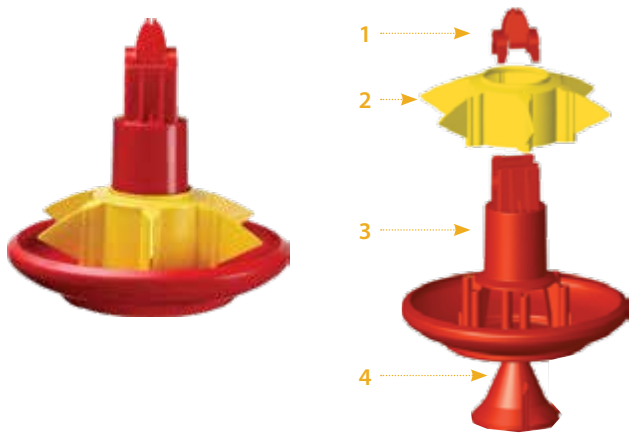
No.	Cat No.	Item
1	02310180	Feed pan locker
2	02310108	Low regulator for feed pan
3	02310153	Feed pan body
4	02310765	High Cone
5	02310098	Pan pillar



Manual Flood Feed Pan

02310157

Manual regulation of the feed level is extremely simple by raising and slightly rotating the yellow regulator.

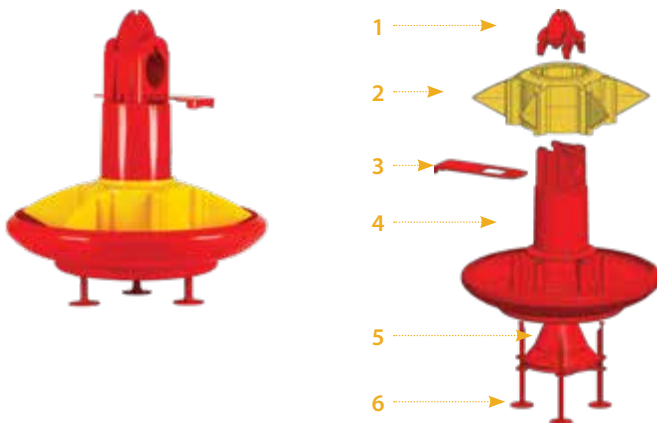


Manual Flood Feed Pan Parts

No.	Cat No.	Item
1	02310180	Feed pan locker
2	02310108	Low regulator for feed pan
3	02310153	Feed pan body
4	02310170	Cone

Auto Flood Feed Pan with Shutoff

02310160

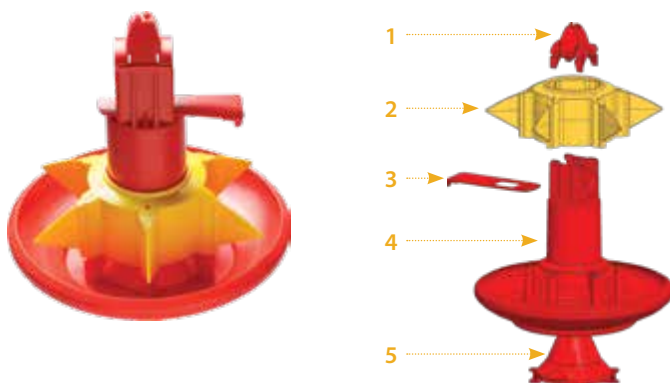


Auto Flood Feed Pan with Shutoff Parts

No.	Cat No.	Item
1	02310180	Feed pan locker
2	02310108	Low regulator for feed pan
3	02310123	Shutoff plate for feed pan
4	02310060	Feed pan body with groove
5	02310170	Cone
6	02310098	Pan pillar red

Manual Flood Feed Pan with Shutoff

02310158



Manual Flood Feed Pan with Shutoff Parts

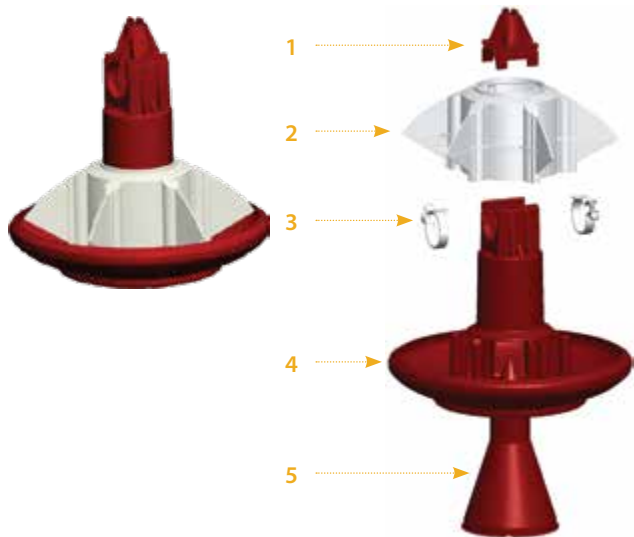
No.	Cat No.	Item
1	02310180	Feed pan locker
2	02310108	Low regulator for feed pan
3	02310123	Shutoff plate for feed pan
4	02310060	Feed pan body with groove
5	02310170	Cone

Breeders

- Easy access - No Grill
- Uniform feed distribution
- Strong and durable

Male Feed Pan

02310570

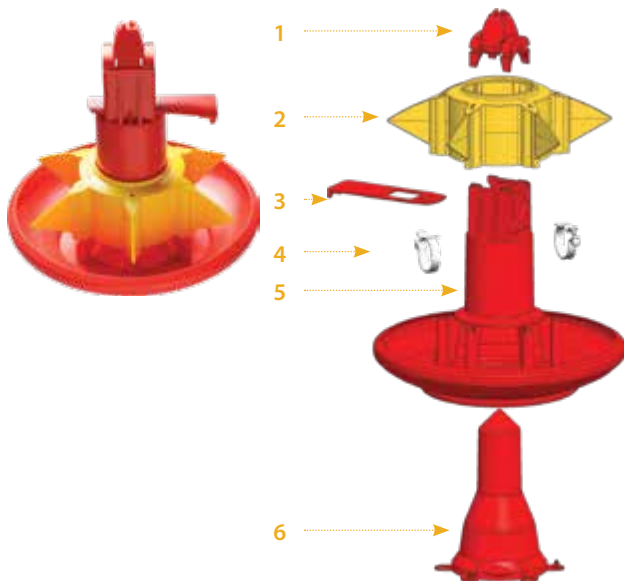


Male Feed Pan Parts

No.	Cat No.	Item
1	02310121	Feed pan locker
2	02310092	Feed pan regulator 0-5 grey
3	02310895	Feed pan anti rotation bracket
4	02310122	Feed pan body
5	02310125	High cone for Male pan

Male Feed Pan with Shutoff

02312066



Male Feed Pan with Shutoff Parts

No.	Cat No.	Item
1	02310180	Feed pan locker
2	02310108	Low regulator for feed pan
3	02310123	Shutoff plate for feed pan
4	02310895	Feed pan anti rotation bracket
5	02310060	Feed pan body with groove
6	02310765	High cone

Female Feed Pan

02311106





Turkey Poults

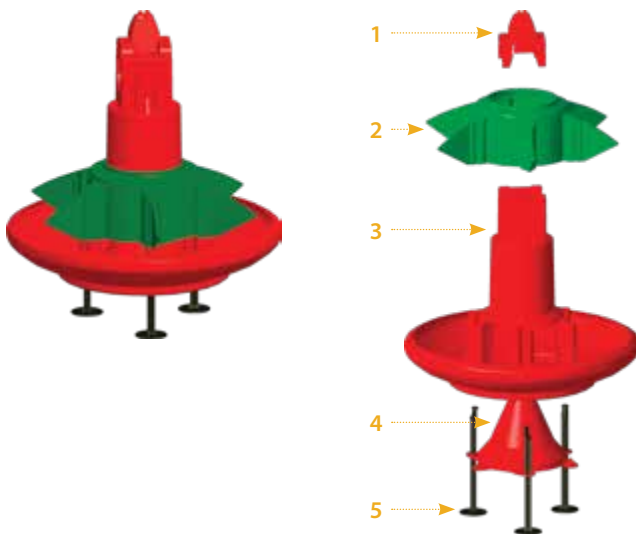
- High flooding - Stimulates growth
- No grill - No trapping
- Specially designed for Turkey Poults

The innovative design of the pan, without grill, added to the special edge profile, allows the birds to easily reach the feed even during the first days, thus achieving better results.



Turkey Poults Feed Pan with Green Regulator

02310907

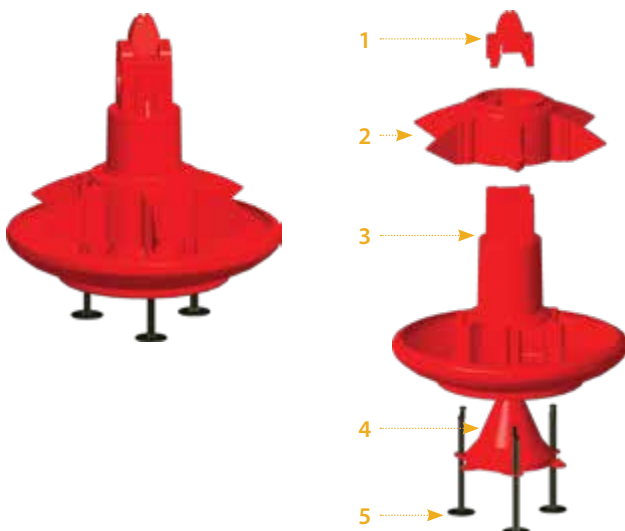


Turkey Poults Feed Pan with Green Regulator Parts

No.	Cat No.	Item
1	02310180	Feed pan locker
2	02310629	Turkey Poults feed pan regulator (Green)
3	02310153	Feed pan body
4	02310170	Cone
5	02310083	Long black pillar

Turkey Poults Feed Pan with Red Regulator

02310477



Turkey Poults Feed Pan with Red Regulator Parts

No.	Cat No.	Item
1	02310180	Feed pan locker
2	02310142	Turkey Poults feed pan regulator (Red)
3	02310153	Feed pan body
4	02310170	Cone
5	02310083	Long black pillar

Adult Turkeys

- Easy movement under heightened lines
- Flexible drop reduces bruises
- Fits 44.5mm and 2" systems



Feed Pan for Adult Turkeys

02310820*

Feed is always fresh and accessible. Flexible drop tube and collar reduces bruising.



Feed Pan for Adult Turkeys Parts

Cat No.	Item
02310693	Pipe locker 2"
02310306	Short neck
02310253	Regulator
02310228	Body threaded connector
02310114	Upper body
02310793	Bottom cone
02310828	Collar

* Available also for 44.5mm pipes: 02310826

Feed Pan for Turkeys from 'Start to Finish' (AIAO*)

02310794**



Feed Pan for Turkeys from 'Start to Finish' (AIAO*) Parts

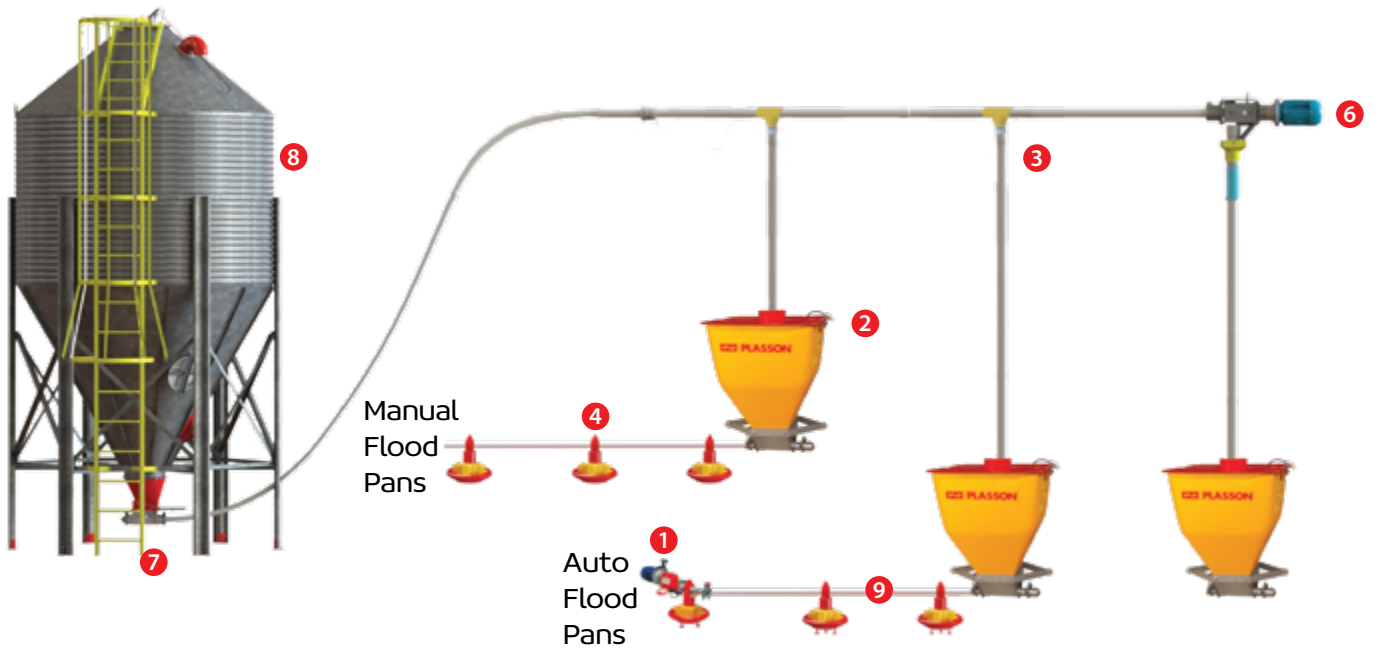
Cat No.	Item
02310438	Pipe locker 44.5mm
02310306	Short neck
02310253	Regulator
02310228	Body threaded connector
02310114	Upper body
02310144	Lower Plate
02310828	Collar

* AIAO: All In All Out

** Available also for 2" pipes: 02310798



System components



1 Control Pan



2 Plastic Hopper



3 Fill System "T" Drop & PVC Pipes



4 Intermediate Control Pan



5 Chick Start for Ribbed & Smooth Pipes



6 Fill System ("Cross Auger") Control Unit



7 Silo Boot (Single & Double Side)



8 Silo Systems*



*Regular & Pneumatic filling options (available 3-22 Ton)

9 Galvanized Pipes & Augers





Global Presence – Local Commitment



Feeding



Drinking



Climate



Housing

Maagan Michael, D.N. Menashe, 3780500, Israel

Tel: +972-73-2413001, Fax: +972-73-2333711

info@plassonlivestock.com | www.plassonlivestock.com